

**International Gravity Sports Association**

**Event:** North American Championships  
**Location:** San Dimas, California, USA  
**Date:** 16-Nov-08  
**Event Level:** Continental  
**Weather:** Hot 90f

**Promoter:** Bob Ozman  
**Chief Steward:** Marcus Rietema  
**Starter:** Art Sanchez  
**Track Conditions:** Dry  
**Course Length:** 1km / .6mi

**Downhill Skateboard Results**

<b>Pos</b>	<b>No</b>	<b>Surname</b>	<b>First Name</b>	<b>Nat</b>	<b>Best</b>	<b>Points</b>	<b>Purse</b>
1	560	Maytum	Zak	USA	1:07.557	383.44	\$300
2	74	Flindt	Jimmy	USA	1:06.349	368.62	\$120
3	119	Dubendorff	Brett	USA	1:05.909	361.60	\$75
4	178	Pilloni	Louis	USA	1:09.927	355.18	
5	288	DeKeysor	Brent	USA	1:08.368	349.25	
6	152	Del Rosario	Tim	PHI	1:07.945	343.70	
7	35	Conner	Danny	USA	1:08.401	338.47	
8	68	Cortez	Romulo	VEN	1:09.605	333.50	
9	58	Kelly	James	USA	1:08.128	328.77	
10	5	Meehan	Riley	USA	1:09.413	324.24	
11	264	Gonzales	Justin	USA	1:10.778	319.88	
12	106	Price	David	USA	1:19.728	315.69	
13	87	Meiners	Billy	USA	1:07.890	311.64	
14	168	Johnston	Hugh	CAN	1:11.781	307.71	
15	46	Koninghausen	Ramon	SUI	1:21.859	303.91	
16	549	Dubois	Justin	USA	1:24.739	300.21	
17	153	McCausland	Brett	USA	1:08.576	296.61	
18	40	Mercardo	Andrew	USA	1:09.748	293.10	
19	88	English	Rylan	CAN	1:10.046	289.67	
20	625	Omoto	Kawika	USA	1:10.384	286.33	
21	582	Staub	Calvin	USA	1:11.937	283.05	
22	150	Carrol	Paul	USA	1:12.552	279.85	
23	56	Clutario	Kevin	USA	1:13.313	276.71	
24	109	Hampton	Dustin	USA	1:18.319	273.63	
25	164	Capps	Max	USA	1:10.729	270.61	
26	147	Kludy	Rick	USA	1:11.598	267.65	
27	45	Sumile	Roland	USA	1:11.964	264.73	
28	620	Torres	Joshua	USA	1:12.702	261.87	
29	28	McKendry	Robert	USA	1:14.093	259.05	
30	626	Stetler	Tom	USA	1:14.582	256.28	
31	627	Porras	Juan	VEN	1:17.969	253.54	
32	275	Linton	Colton	USA	1:18.931	250.85	
33	547	Cooper	Kevin	USA	1:13.204	248.20	
34	622	Hanson	David	USA	1:13.524	245.59	
35	131	Eubank	Pete	USA	1:16.007	243.01	
36	613	Check	Daniel	USA	1:18.339	240.46	
37	624	Nahemow	Michael	USA	1:18.993	237.95	
38	229	Stone	Aaron	USA	1:19.147	235.47	
39	559	Lukoszek	Ben	AUS	1:20.935	233.01	
40	616	Verbeest	Alex	USA	1:21.059	230.59	
41	629	Mayall	Zak	USA	1:24.201	228.20	
42	191	Doman	Steve	USA	1:24.866	225.83	
43	605	Vigil	Brian	USA	1:31.351	223.49	
44	615	Ramos	Noah	USA	1:31.448	221.18	
45	623	Staub	Mark	USA	1:35.029	218.89	
46	589	Dubois	Quinn	CAN	1:38.482	216.63	
47	63	Rutherford	Noah	USA	1:52.284	214.38	

**International Gravity Sports Association**

**Event:** North American Championships  
**Location:** San Dimas, California, USA  
**Date:** 16-Nov-08  
**Event Level:** Continental  
**Weather:** Hot 90f

**Promoter:** Bob Ozman  
**Chief Steward:** Marcus Rietema  
**Starter:** Art Sanchez  
**Track Conditions:** Dry  
**Course Length:** 1km / .6mi

**Junior I DH Skateboard Results (9 to 13 Years old)**

Pos	No	Surname	First Name	Nat	Best	Points
1	619	Eaton	Blake	USA	1:27.168	383.44
2	610	Morgan	Liam	USA	1:28.833	368.62
3	628	Garland	Ricky	USA	1:28.442	361.60
4	589	Dubois	Quinn	CAN	1:38.482	355.18

**Junior II DH Skateboard Results (14 to 17 Years old)**

Pos	No	Surname	First Name	Nat	Best	Points
1	560	Maytum	Zak	USA	1:07.557	383.44
2	152	Del Rosario	Tim	PHI	1:07.945	368.62
3	582	Staub	Calvin	USA	1:11.937	361.60
4	620	Torrs	Joshua	USA	1:12.702	355.18
5	264	Gonzales	Justin	USA	1:24.739	349.25
6	579	Ronzani	Nick	KOR	1:13.907	343.70
7	229	Stone	Aaron	USA	1:19.147	338.47
8	621	Chu	Tim	USA	1:16.959	333.50
9	618	Koss	Shane	USA	1:28.148	328.77
10	614	Blackmore	Nate	USA	1:28.169	324.24
11	606	Conaway	Christian	USA	1:28.441	319.88
12	577	Henderson	Keith	USA	1:29.869	315.69
13	617	Koss	Ryan	USA	1:18.217	311.64
14	624	Nahemow	Michael	USA	1:18.993	307.71
15	611	McVitty	Dylan	USA	1:38.234	303.91

**Street Luge Results**

Pos	No	Surname	First Name	Nat	Best	Points	Purse
1	5	Meehan	Riley	USA	1:06.647	383.44	\$160
2	12	Lee	Brian	USA	1:27.725	368.62	\$80
3	59	McIntyre	Mike	USA	1:07.054	361.60	\$30
4	15	Tolman	Justin	USA	1:08.158	355.18	
5	169	Smrtic	Billy	USA	1:34.167	349.25	
6	87	Autry	Waldo	USA	1:10.273	343.70	
7	35	Wilson	Rick	USA	1:11.704	338.47	
8	220	Guarena (F)	Marianne	USA	1:11.167	333.50	
9	26	Conaway	Christian	USA	1:10.474	328.77	
10	21	Rutherford	Noah	USA	1:11.421	324.24	
11	44	Iverson Sr.	Ron	USA	1:18.123	319.88	
12	251	Castenada	Kyle	USA	1:30.084	315.69	
13	224	Yakubovich	Albert	RUS	1:12.737	311.64	
14	225	Higbee	Shawn	USA	1:12.992	307.71	

**Junior Street Luge Results**

Pos	No	Surname	First Name	Nat	Best	Points
1	26	Conaway	Christian	USA	1:10.474	383.44
2	251	Castenada	Kyle	USA	1:30.084	368.62

**International Gravity Sports Association**

**Event:** North American Championships  
**Location:** San Dimas, California, USA  
**Date:** 16-Nov-08  
**Event Level:** Continetial  
**Weather:** Hot 90f

**Promoter:** Bob Ozman  
**Chief Steward:** Marcus Rietema  
**Starter:** Art Sanchez  
**Track Conditions:** Dry  
**Course Length:** 1km / .6mi

**Classic Luge Results**

<b>Pos</b>	<b>No</b>	<b>Surname</b>	<b>First Name</b>	<b>Nat</b>	<b>Best</b>	<b>Points</b>
1	15	Tolman	Justin	USA	1:11.038	383.44
2	158	Peer	Scott	USA	1:10.590	368.62
3	5	Meehan	Riley	USA	1:08.339	361.60
4	251	Castenada	Kyle	USA	1:14.027	355.18
5	26	Conaway	Christian	USA	1:12.373	349.25
6	23	Huey	Jon	USA	1:37.175	343.70

**Junior Classic Luge Results**

<b>Pos</b>	<b>No</b>	<b>Surname</b>	<b>First Name</b>	<b>Nat</b>	<b>Best</b>	<b>Points</b>
1	26	Conaway	Christian	USA	1:12.373	383.44
2	251	Castenada	Kyle	USA	1:14.027	368.62

**Downhill Inline Results**

<b>Pos</b>	<b>No</b>	<b>Surname</b>	<b>First Name</b>	<b>Nat</b>	<b>Best</b>	<b>Points</b>
1	1	Peer	Scott	USA	1:03.570	383.44
2	2	Focke	Warren	USA	1:07.492	368.62
3	11	Ellis	Craig	USA	1:08.205	361.60

**Gravity Bike Results**

<b>Pos</b>	<b>No</b>	<b>Surname</b>	<b>First Name</b>	<b>Nat</b>	<b>Best</b>	<b>Points</b>
1	6	McIntyre	Mike	USA	1:05.389	383.44

**Fairing Gravity Bike Results**

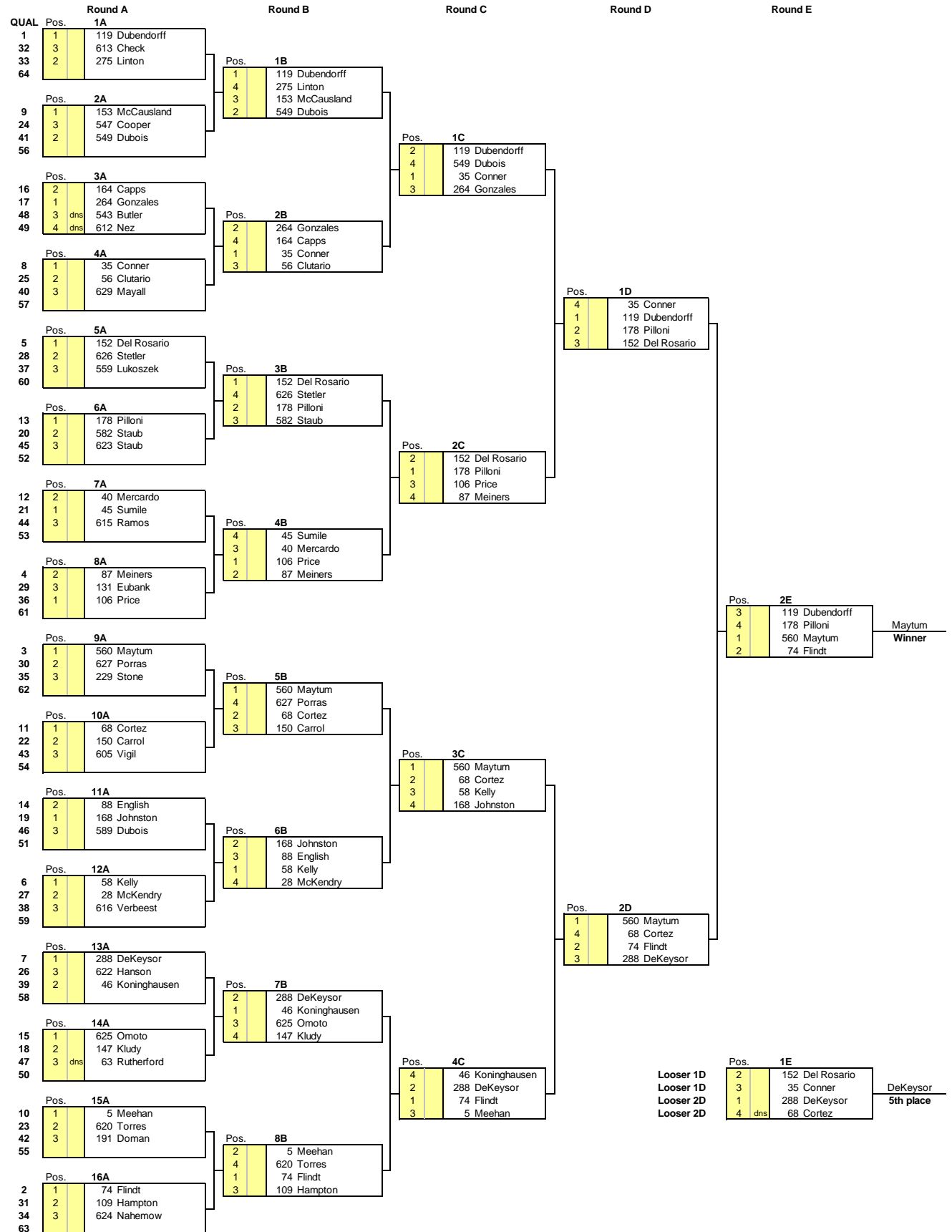
<b>Pos</b>	<b>No</b>	<b>Surname</b>	<b>First Name</b>	<b>Nat</b>	<b>Best</b>	<b>Points</b>
1	2	Rutherford	Noah	USA	1:09.420	383.44

**International Gravity Sports Association**

**Event:** North American Championships  
**Location:** San Dimas, California, USA  
**Date:** 31-Aug-08  
**Event Level:** Continental  
**Weather:** Hot 90f

**Promoter:** Bob Ozman  
**Chief Steward:** Marcus Rietema  
**Starter:** Art Sanchez  
**Track Conditions:** Dry  
**Course Length:** 1km / .6mi

**DOWNHILL SKATEBOARDING**

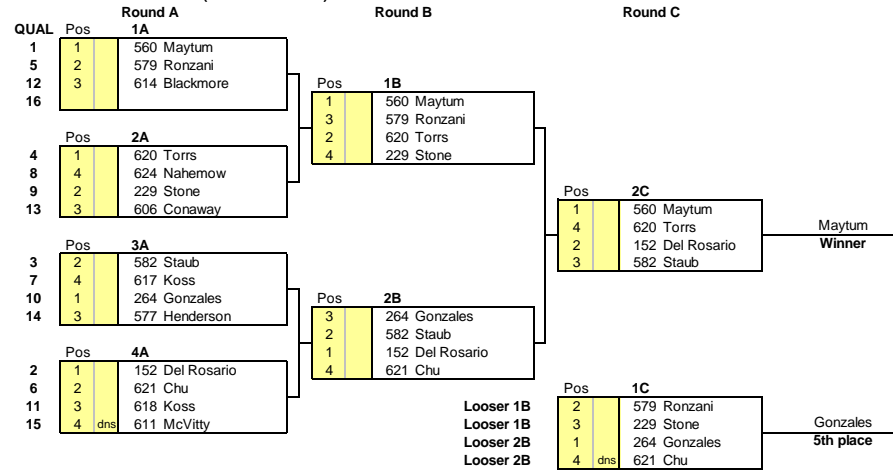


**International Gravity Sports Association**

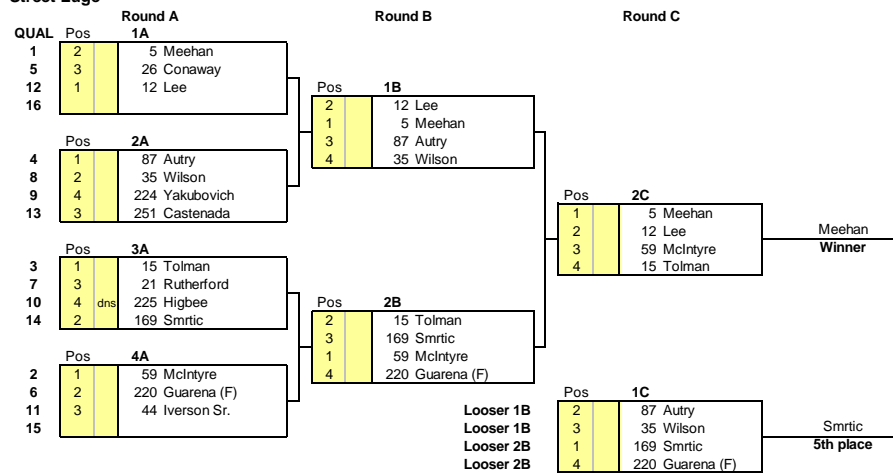
**Event:** North American Championships  
**Location:** San Dimas, California, USA  
**Date:** 31-Aug-08  
**Event Level:** Continental  
**Weather:** Hot 90f

**Promoter:** Bob Ozman  
**Chief Steward:** Marcus Rietema  
**Starter:** Art Sanchez  
**Track Conditions:** Dry  
**Course Length:** 1km / .6mi

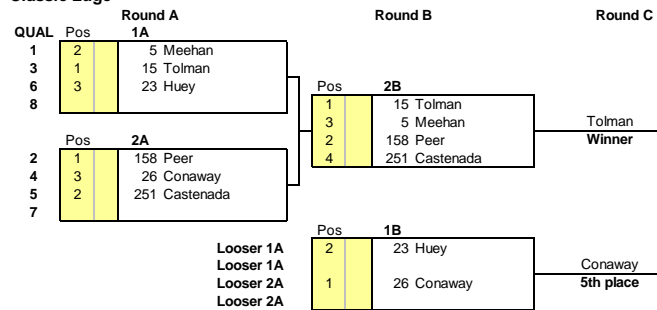
**Junior II DH Skateboard (14 to 17 Years old)**



**Street Luge**



**Classic Luge**



**International Gravity Sports Association**

**Event:** North American Championships  
**Location:** San Dimas, California, USA  
**Date:** 16-Nov-08  
**Event Level:** Continental  
**Weather:** Hot 90f

**Promoter:** Bob Ozman  
**Chief Steward:** Marcus Rietema  
**Starter:** Art Sanchez  
**Track Conditions:** Dry  
**Course Length:** 1km / .6mi

**Junior I DH Skateboard (9 to 13 Years old)**

Qual	No.	Surname	First Name	Nat	Heat #1	Heat #2	Heat #3	Total Points
1	619	Eaton	Blake	USA	1	1	1	3
2	628	Garland	Ricky	USA	4	3	3	10
3	610	Morgan	Liam	USA	2	2	2	6
4	589	Dubois	Quinn	CAN	3	4	4	11

**Junior Street Luge**

Qual	No.	Surname	First Name	Nat	Heat #1	Heat #2	Heat #3	Total Points
1	26	Conaway	Christian	USA	1	1	DNS	2
2	251	Castenada	Kyle	USA	2	2	DNS	4

**Junior Classic Luge**

Qual	No.	Surname	First Name	Nat	Heat #1	Heat #2	Heat #3	Total Points
1	26	Conaway	Christian	USA	2	1	1	4
2	251	Castenada	Kyle	USA	1	2	2	5

**Downhill Inline**

Qual	No.	Surname	First Name	Nat	Heat #1	Heat #2	Heat #3	Total Points
1	1	Peer	Scott	USA	1	1	1	3
2	2	Focke	Warren	USA	2	2	2	6
3	11	Ellis	Craig	USA	3	3	3	9

**Gravity Bike**

Qual	No.	Surname	First Name	Nat	Heat #1	Heat #2	Heat #3	Total Points
1	6	McIntyre	Mike	USA	1	1	1	3

**Fairing Gravity Bike**

Qual	No.	Surname	First Name	Nat	Heat #1	Heat #2	Heat #3	Total Points
1	2	Rutherford	Noah	USA	1	1	1	3