

International Gravity Sports Association

Event: US National Championships
Location: San Dimas, California, USA
Date: 15-Nov-09
Event Level: US National Championships
Weather: Warm, Sunny

Promoter: Bob Ozman
Chief Steward: Marcus Rietema
Starter: Art Sanchez
Track Conditions: Dry
Course Length: 1km / .6mi

Downhill Skateboard Results

| Pos | No | Surname | First Name | Nat | Best | Points |
|------------|-----------|----------------|-------------------|------------|-------------|---------------|
| 1 | 164 | Chapman | Andrew | CAN | dns | 316.87 |
| 2 | 459 | Green | Micah | USA | 1:05.017 | 304.63 |
| 3 | 107 | Kelly | James | USA | 1:04.484 | 298.82 |
| 4 | 5 | Lundberg | Erik | SWE | 1:03.119 | 293.53 |
| 5 | 620 | Wester | Kyle | USA | 1:04.863 | 288.62 |
| 6 | 103 | Dubendorff | Brentt | USA | 1:06.066 | 284.03 |
| 7 | 53 | Budro | Jeff | USA | 1:06.749 | 279.71 |
| 8 | 189 | Dekeyser | Brent | USA | 1:05.595 | 275.61 |
| 9 | 77 | Pilloni | Louis | USA | 1:03.968 | 271.70 |
| 10 | 592 | Crone | Riley | USA | 1:07.258 | 267.95 |
| 11 | 614 | Smith | Blake | USA | 1:08.810 | 264.35 |
| 12 | 104 | Johnson | Jed | USA | 1:09.800 | 260.89 |
| 13 | 589 | Snyder | Michael | USA | 1:06.940 | 257.54 |
| 14 | 623 | Gonzales | Justin | USA | 1:10.052 | 254.30 |
| 15 | 72 | Maytum | Zak | USA | 1:07.054 | 251.15 |
| 16 | 142 | Staub | Calvin | USA | 1:07.002 | 248.09 |
| 17 | 491 | Ronzani | Nick | USA | 1:08.617 | 245.12 |
| 18 | 601 | Sato | Erik | USA | 1:08.732 | 242.22 |
| 19 | 613 | Makayama | Tadaichi | USA | 1:10.018 | 239.39 |
| 20 | 605 | Overden | Trevor | USA | 1:10.264 | 236.62 |
| 21 | 342 | Vigil | Brian | USA | 1:10.916 | 233.92 |
| 22 | 607 | Riha | Jimmy | USA | 1:12.408 | 231.27 |
| 23 | 573 | Rojas Jr | Samuel | USA | 1:20.502 | 228.68 |
| 24 | 594 | Quezada | David | USA | 1:11.357 | 226.13 |
| 25 | 529 | Henderson | Keith | USA | 1:11.380 | 223.64 |
| 26 | 281 | Neilson (F) | Katie | CAN | 1:11.480 | 221.19 |
| 27 | 531 | Morgan | Liam | USA | 1:11.913 | 218.78 |
| 28 | 611 | Yoshida | Mackenzie | USA | 1:12.539 | 216.41 |
| 29 | 267 | Capps | Max | USA | 1:14.323 | 214.08 |
| 30 | 615 | Bryant | Justin | USA | 1:15.352 | 211.79 |
| 31 | 509 | Wagner | Connor | USA | 1:07.525 | 209.53 |
| 32 | 616 | Vannasing | Davis | USA | 1:07.828 | 207.31 |
| 33 | 599 | Baca | Zachary | USA | 1:11.737 | 205.11 |
| 34 | 612 | Hunt | Josh | USA | 1:13.758 | 202.95 |
| 35 | 593 | Leung | Justin | USA | 1:14.334 | 200.82 |
| 36 | 624 | Gregerson (F) | Christin | CAN | 1:14.389 | 198.72 |
| 37 | 609 | Strong | Zack | USA | 1:16.269 | 196.64 |
| 38 | 610 | Daley | Spencer | USA | 1:16.501 | 194.59 |
| 39 | 603 | Mcvitty | Dylan | USA | 1:16.654 | 192.56 |
| 40 | 618 | Bentz | Andrew | USA | 1:17.377 | 190.56 |
| 41 | 597 | Dougherty | Zack | USA | 1:17.914 | 188.58 |
| 42 | 621 | Greene | Malachi | USA | 1:19.702 | 186.63 |
| 43 | 46 | Connor | Danny | USA | 1:09.173 | 184.70 |
| 44 | 33 | English | Raggie | CAN | 1:06.559 | 182.78 |
| 45 | 622 | Ozan | Evren | USA | 1:09.832 | 180.89 |
| 46 | 617 | Anglero | Manuel | POR | 1:14.540 | 179.02 |
| 47 | 608 | Anderson | Jesse | USA | 1:18.121 | 177.17 |
| 48 | 197 | Porras | Juan Pablo | VEN | 1:31.189 | 175.33 |

International Gravity Sports Association

Event: US National Championships
Location: San Dimas, California, USA
Date: 15-Nov-09
Event Level: US National Championships
Weather: Warm, Sunny

Promoter: Bob Ozman
Chief Steward: Marcus Rietema
Starter: Art Sanchez
Track Conditions: Dry
Course Length: 1km / .6mi

Women Downhill Skateboard Results

| Pos | No | Surname | First Name | Nat | Best | Points |
|------------|-----------|----------------|-------------------|------------|-------------|---------------|
| 1 | 281 | Neilson | Katie | CAN | 1:11.480 | 316.87 |
| 2 | 624 | Gregerson | Christin | CAN | 1:14.389 | 304.63 |

Junior I Downhill Skateboard Results

| Pos | No | Surname | First Name | Nat | Best | Points |
|------------|-----------|----------------|-------------------|------------|-------------|---------------|
| 1 | 531 | Morgan | Liam | USA | 1:11.913 | 316.87 |
| 2 | 573 | Rojas | Sam | USA | 1:20.502 | 304.63 |

Junior II Downhill Skateboard Results

| Pos | No | Surname | First Name | Nat | Best | Points |
|------------|-----------|----------------|-------------------|------------|-------------|---------------|
| 1 | 509 | Wagner | Connor | USA | 1:07.525 | 316.87 |
| 2 | 592 | Crone | Riley | USA | 1:07.258 | 304.63 |
| 3 | 104 | Johnson | Jed | USA | 1:09.800 | 298.82 |
| 4 | 459 | Green | Micah | USA | 1:05.017 | 293.53 |
| 5 | 142 | Staub | Calvin | USA | 1:07.002 | 288.62 |
| 6 | 491 | Ronzani | Nick | USA | 1:08.617 | 284.03 |
| 7 | 599 | Baca | Zachary | USA | 1:11.737 | 279.71 |
| 8 | 622 | Ozan | Evren | USA | 1:09.832 | 275.61 |
| 9 | 605 | Overden | Trevor | USA | 1:10.264 | 271.70 |
| 10 | 594 | Quezada | David | USA | 1:11.357 | 267.95 |
| 11 | 529 | Henderson | Keith | USA | 1:11.380 | 264.35 |
| 12 | 607 | Riha | Jimmy | USA | 1:12.408 | 260.89 |
| 13 | 616 | Vannasing | Davis | USA | 1:07.828 | 257.54 |
| 14 | 593 | Leung | Justin | USA | 1:14.334 | 254.30 |
| 15 | 609 | Strong | Zack | USA | 1:16.269 | 251.15 |
| 16 | 603 | Mcvitty | Dylan | USA | 1:16.654 | 248.09 |
| 17 | 606 | Peterson | Clayton | USA | 1:16.134 | 245.12 |
| 18 | 610 | Daley | Spencer | USA | 1:16.501 | 242.22 |
| 19 | 619 | Conroy | Hayden | USA | 1:22.241 | 239.39 |
| 20 | 537 | Conaway | Christian | USA | dns | 236.62 |

Street Luge Results

| Pos | No | Surname | First Name | Nat | Best | Points |
|------------|-----------|----------------|-------------------|------------|-------------|---------------|
| 1 | 216 | Lally | Andy | USA | 1:05.677 | 316.87 |
| 2 | 77 | Tolman | Justin | USA | 1:06.097 | 304.63 |
| 3 | 189 | Dekeyser | Brent | USA | dns | 298.82 |
| 4 | 25 | McIntyre | Mike | USA | 1:07.771 | 293.53 |
| 5 | 34 | Conaway | Christian | USA | dns | 288.62 |
| 6 | 38 | Castaneda | Kyle | USA | 1:07.724 | 284.03 |
| 7 | 214 | Bowland | Robert | USA | 1:09.308 | 279.71 |
| 8 | 95 | Guarena (F) | Marianne | USA | 1:11.340 | 275.61 |
| 9 | 110 | Iverson Sr | Ron | USA | 1:13.938 | 271.70 |
| 10 | 222 | Iverson | Ronnie | USA | 1:14.813 | 267.95 |

International Gravity Sports Association

Event: US National Championships
Location: San Dimas, California, USA
Date: 15-Nov-09
Event Level: US National Championships
Weather: Warm, Sunny

Promoter: Bob Ozman
Chief Steward: Marcus Rietema
Starter: Art Sanchez
Track Conditions: Dry
Course Length: 1km / .6mi

Classic Luge Results

| Pos | No | Surname | First Name | Nat | Best | Points |
|------------|-----------|----------------|-------------------|------------|-------------|---------------|
| 1 | 216 | Lally | Andy | USA | 1:09.527 | 316.87 |
| 2 | 189 | Dekeyser | Brent | USA | 1:09.226 | 304.63 |
| 3 | 77 | Tolman | Justin | USA | 1:11.718 | 298.82 |
| 4 | 163 | Peer | Scott | USA | 1:13.893 | 293.53 |
| 5 | 38 | Castaneda | Kyle | USA | 1:10.390 | 288.62 |
| 6 | 226 | Eversley | Ryan | USA | 1:10.964 | 284.03 |
| 7 | 34 | Conaway | Christian | USA | dns | 279.71 |
| 8 | 214 | Bowland | Robert | USA | 1:15.716 | 275.61 |
| 9 | 222 | Iverson | Ronnie | USA | 1:15.478 | 271.70 |
| 10 | 224 | Yoshida | Mackenzie | USA | 1:15.512 | 267.95 |
| 11 | 529 | Henderson | Keith | USA | 1:16.168 | 264.35 |
| 12 | 491 | Ronzani | Nick | USA | 1:16.181 | 260.89 |
| 13 | 594 | Quezada | David | USA | 1:15.967 | 257.54 |
| 14 | 142 | Staub | Calvin | USA | 1:22.633 | 254.30 |
| 15 | 281 | Neilson (F) | Katie | CAN | dns | 251.15 |

Junior Classic Luge Results

| Pos | No | Surname | First Name | Nat | Best | Points |
|------------|-----------|----------------|-------------------|------------|-------------|---------------|
| 1 | 38 | Castaneda | Kyle | USA | 1:10.390 | 316.87 |
| 5 | 34 | Conaway | Christian | USA | dns | 288.62 |
| 2 | 529 | Henderson | Keith | USA | 1:16.168 | 304.63 |
| 3 | 594 | Quezada | David | USA | 1:15.967 | 298.82 |
| 4 | 491 | Ronzani | Nick | USA | 1:16.181 | 293.53 |
| 6 | 142 | Staub | Calvin | USA | 1:22.633 | 284.03 |

Downhill Inline Results

| Pos | No | Surname | First Name | Nat | Best | Points |
|------------|-----------|----------------|-------------------|------------|-------------|---------------|
| 1 | 2 | Focke | Warren | USA | 1:07.227 | 316.87 |
| 2 | 51 | Cruze | Xander | USA | 1:05.542 | 304.63 |
| 3 | 1 | Peer | Scott | USA | 1:04.941 | 298.82 |
| 4 | 11 | Lambert | David | USA | 1:08.645 | 293.53 |
| 5 | 50 | Ramos | Marcelo | USA | 1:12.789 | 288.62 |
| 6 | 5 | Merkert | George | USA | dns | 284.03 |

Gravity Bike Results

| Pos | No | Surname | First Name | Nat | Best | Points |
|------------|-----------|----------------|-------------------|------------|-------------|---------------|
| 1 | 24 | Wilk | Ryan | USA | 1:23.571 | 316.87 |

Junior Gravity Bike Results

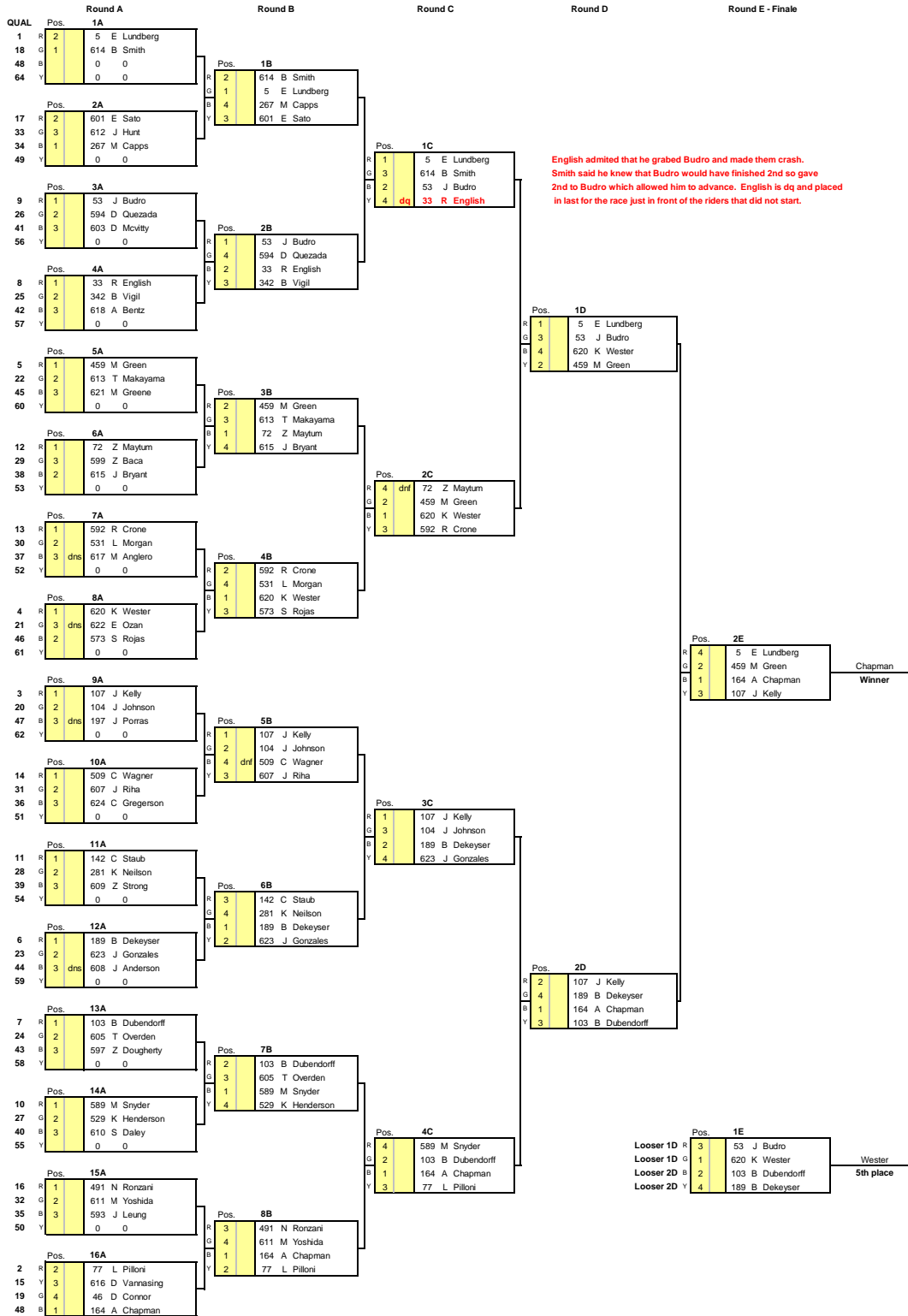
| Pos | No | Surname | First Name | Nat | Best | Points |
|------------|-----------|----------------|-------------------|------------|-------------|---------------|
| 1 | 25 | Mitchell | Tabitha | USA | 1:19.822 | 316.87 |

International Gravity Sports Association

Event: Bonelli US National Championships
Location: San Dimas, California, USA
Date: 15-Nov-09
Event Level: US National Championships
Weather: Warm, Sunny

Promoter: Bob Ozman
Chief Steward: Marcus Rietema
Starter: Art Sanchez
Track Conditions: Dry
Course Length: 1km / .6mi

Downhill Skateboard



International Gravity Sports Association

Event: Bonelli US National Championships
Location: San Dimas, California, USA
Date: 15-Nov-09
Event Level: US National Championships
Weather: Warm, Sunny

Promoter: Bob Ozman
Chief Steward: Marcus Rietema
Starter: Art Sanchez
Track Conditions: Dry
Course Length: 1km / .6mi

Junior 2 Downhill Skateboard

| QUAL | Pos | Round A | Round B | Round C | Round D - Finale |
|------|-----|-----------------|--|---|--|
| 1 | R 1 | 459 M Green | Pos 1B R 2 459 M Green G 3 605 T Overden B 1 622 E Ozan Y 4 609 Z Strong | Pos 1C R 4 dnf 622 E Ozan G 1 459 M Green B 2 509 C Wagner Y 3 599 Z Baca | Pos 2D R 4 459 M Green G 1 509 C Wagner B 2 592 R Crone Y 3 104 J Johnson Winner |
| 9 | G 2 | 605 T Overden | | | |
| 24 | B 1 | 0 0 | | | |
| 32 | Y 0 | 0 0 | | | |
| 8 | R 1 | 622 E Ozan | Pos 2B R 4 616 D Vannasing G 3 607 J Riha B 1 509 C Wagner Y 2 599 Z Baca | Pos 3C R 1 592 R Crone G 3 491 N Ronzani B 4 142 C Staub Y 2 104 J Johnson | Pos 1D R 3 599 Z Baca G 4 622 E Ozan B 2 491 N Ronzani Y 1 142 C Staub Staub 5th place |
| 16 | G 2 | 609 Z Strong | | | |
| 17 | B 3 | 610 S Daley | | | |
| 25 | Y 0 | 0 0 | | | |
| 5 | R 1 | 616 D Vannasing | Pos 3B R 1 592 R Crone G 3 529 K Henderson B 2 491 N Ronzani Y 4 593 J Leung | Pos 4C R 1 592 R Crone G 3 491 N Ronzani B 4 142 C Staub Y 2 104 J Johnson | Pos 2C R 1 216 A Lally G 4 25 M Mcintyre B 2 77 J Tolman Y 3 189 B Dekeyser Lally Winner |
| 13 | G 2 | 607 J Riha | | | |
| 20 | B 3 | 537 C Conaway | | | |
| 28 | Y 0 | 0 0 | | | |
| 4 | R 1 | 509 C Wagner | Pos 4B R 2 104 J Johnson G 4 603 D Mcvitty B 1 142 C Staub Y 3 594 D Quezada | Pos 1C R 3 214 R Bowland G 1 34 C Conaway B 2 38 K Castaneda Y 4 95 M Guarena Conaway 5th place | Pos 3C R 2 189 B Dekeyser G 3 77 J Tolman B 1 216 A Lally Y 4 163 S Peer Lally Winner |
| 12 | G 2 | 599 Z Baca | | | |
| 21 | B 0 | 0 0 | | | |
| 29 | Y 0 | 0 0 | | | |
| 3 | R 1 | 592 R Crone | Pos 6A R 1 491 N Ronzani G 2 593 J Leung B 3 619 H Conroy Y 0 0 0 | Pos 7C R 1 216 A Lally G 4 25 M Mcintyre B 2 77 J Tolman Y 3 189 B Dekeyser Lally Winner | Pos 4C R 2 189 B Dekeyser G 3 77 J Tolman B 1 216 A Lally Y 4 163 S Peer Lally Winner |
| 11 | G 2 | 529 K Henderson | | | |
| 22 | B 0 | 0 0 | | | |
| 30 | Y 0 | 0 0 | | | |
| 6 | R 1 | 491 N Ronzani | Pos 7B R 2 104 J Johnson G 3 606 C Peterson B 2 603 D Mcvitty Y 0 0 0 | Pos 1C R 3 214 R Bowland G 1 34 C Conaway B 2 38 K Castaneda Y 4 95 M Guarena Conaway 5th place | Pos 3C R 2 189 B Dekeyser G 3 77 J Tolman B 1 216 A Lally Y 4 163 S Peer Lally Winner |
| 14 | G 2 | 593 J Leung | | | |
| 19 | B 3 | 619 H Conroy | | | |
| 27 | Y 0 | 0 0 | | | |
| 7 | R 1 | 104 J Johnson | Pos 8A R 1 142 C Staub G 2 594 D Quezada B 0 0 0 Y 0 0 0 | Pos 1C R 3 214 R Bowland G 1 34 C Conaway B 2 38 K Castaneda Y 4 95 M Guarena Conaway 5th place | Pos 3C R 2 189 B Dekeyser G 3 77 J Tolman B 1 216 A Lally Y 4 163 S Peer Lally Winner |
| 15 | G 3 | 606 C Peterson | | | |
| 18 | B 2 | 603 D Mcvitty | | | |
| 26 | Y 0 | 0 0 | | | |
| 2 | R 1 | 142 C Staub | | | |
| 10 | G 2 | 594 D Quezada | | | |
| 23 | B 0 | 0 0 | | | |
| 31 | Y 0 | 0 0 | | | |

Street Luge

| QUAL | Pos | Round A | Round B | Round C -Finale |
|------|-----|------------------|---|---|
| 1 | R 1 | 216 A Lally | Pos 1B R 1 216 A Lally G 3 214 R Bowland B 2 25 M Mcintyre Y 4 34 C Conaway | Pos 2C R 1 216 A Lally G 4 25 M Mcintyre B 2 77 J Tolman Y 3 189 B Dekeyser Lally Winner |
| 5 | G 2 | 214 R Bowland | | |
| 12 | B 0 | 0 0 | | |
| 16 | Y 0 | 0 0 | | |
| 4 | R 1 | 25 M Mcintyre | Pos 2B R 2 189 B Dekeyser G 3 38 K Castaneda B 1 77 J Tolman Y 4 95 M Guarena | Pos 1C R 3 214 R Bowland G 1 34 C Conaway B 2 38 K Castaneda Y 4 95 M Guarena Conaway 5th place |
| 8 | G 3 | 222 R Iverson | | |
| 9 | B 2 | 34 C Conaway | | |
| 13 | Y 0 | 0 0 | | |
| 3 | R 2 | 38 K Castaneda | | |
| 7 | G 3 | 110 R Iverson Sr | | |
| 10 | B 1 | 189 B Dekeyser | | |
| 14 | Y 0 | 0 0 | | |
| 2 | R 1 | 77 J Tolman | | |
| 6 | G 2 | 95 M Guarena | | |
| 11 | B 0 | 0 0 | | |
| 15 | Y 0 | 0 0 | | |

Classic Luge

| QUAL | Pos | Round A | Round B | Round C -Finale |
|------|-----|-----------------|--|---|
| 1 | R 1 | 189 B Dekeyser | Pos 1B R 1 189 B Dekeyser G 2 77 J Tolman B 4 226 R Eversley Y 3 214 R Bowland | Pos 2C R 2 189 B Dekeyser G 3 77 J Tolman B 1 216 A Lally Y 4 163 S Peer Lally Winner |
| 5 | G 2 | 77 J Tolman | | |
| 12 | B 3 | 491 N Ronzani | | |
| 16 | Y 0 | 0 0 | | |
| 4 | R 1 | 226 R Eversley | Pos 2B R 3 38 K Castaneda G 4 34 C Conaway B 1 216 A Lally Y 2 163 S Peer | Pos 1C R 4 214 R Bowland G 2 226 R Eversley B 1 38 K Castaneda Y 3 34 C Conaway Castaneda 5th place |
| 8 | G 3 | 224 M Yoshida | | |
| 9 | B 2 | 214 R Bowland | | |
| 13 | Y 4 | 142 C Staub | | |
| 3 | R 1 | 38 K Castaneda | | |
| 7 | G 3 | 222 R Iverson | | |
| 10 | B 4 | 594 D Quezada | | |
| 14 | Y 2 | 34 C Conaway | | |
| 2 | R 1 | 216 A Lally | | |
| 6 | G 2 | 163 S Peer | | |
| 11 | B 3 | 529 K Henderson | | |
| 15 | Y 4 | 281 K Neilson | | |

International Gravity Sports Association

Event: Bonelli US National Championships
Location: San Dimas, California, USA
Date: 15-Nov-09
Event Level: US National Championships
Weather: Warm, Sunny

Promoter: Bob Ozman
Chief Steward: Marcus Rietema
Starter: Art Sanchez
Track Conditions: Dry
Course Length: 1km / .6mi

Women Downhill Skateboard

| Qual | No | Surname | First Name | Heat #1 | Heat #2 | Heat #3 | Points | Pos |
|------|-----|-----------|------------|---------|---------|---------|--------|-----|
| 1 | 281 | Neilson | Katie | 1 | 2 | 1 | 4 | 1 |
| 2 | 624 | Gregerson | Christin | 2 | 1 | 2 | 5 | 2 |

Junior 1 Downhill Skateboard

| Qual | No | Surname | First Name | Heat #1 | Heat #2 | Heat #3 | Points | Pos |
|------|-----|---------|------------|---------|---------|---------|--------|-----|
| 1 | 531 | Morgan | Liam | 1 | 1 | 1 | 3 | 1 |
| 2 | 573 | Rojas | Sam | 2 | 2 | 2 | 6 | 2 |

Junior Gravity Bike

| Qual | No | Surname | First Name | Heat #1 | Heat #2 | Heat #3 | Points | Pos |
|------|----|----------|------------|---------|---------|---------|--------|-----|
| 1 | 25 | Mitchell | Tabitha | 1 | 1 | 1 | 3 | 1 |

Gravity Bike

| Qual | No | Surname | First Name | Heat #1 | Heat #2 | Heat #3 | Points | Pos |
|------|----|---------|------------|---------|---------|---------|--------|-----|
| 1 | 24 | Wilk | Ryan | 1 | 1 | 1 | 3 | 1 |